



CAPS non-threaded

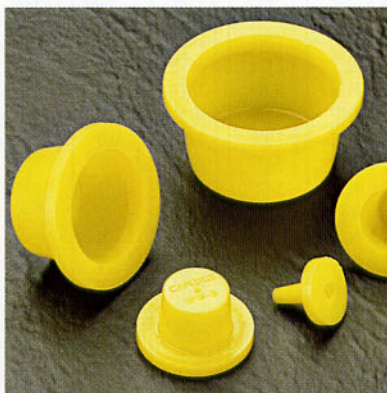
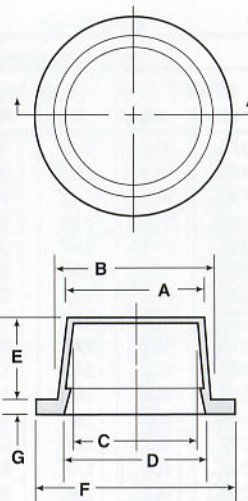
WW Series Tapered Caps with Wide, Thick Flanges



Accepted by the aircraft industry, Series WW Caps are designed with a wide, thick flange to insure against being erroneously forced "all the way through" when used as a plug. Available in fifty-four sizes, this versatile part may easily be used as a cap or plug depending upon application.



MATERIAL: Low Density Polyethylene
COLOR*: Yellow



non-threaded CAPS



Applicable Specs.: NSA STND, NAS-816



WHEN CAPPING
"C" Dim. must be at least 1% smaller than diameter to be capped.
Minimum .020".

WW Series

Caplug No.	Dimensions														Packaging				Caplug No.
	A		B		C		D		E		F		G		Standard Carton		Mini Pak Quantity		
	in	mm	in	mm	in	mm	in	mm	in	mm	in	mm	in	mm	Shipping Wt. (Approx.)	No. of Pieces			
														lbs	kgs				
WW-00	.116	2.95	.182	4.62	.053	1.35	.120	3.05	.37	9.40	.50	12.70	.090	2.29	5	2.2	5000	1000	WW-00
WW-0	.173	4.39	.240	6.10	.111	2.82	.177	4.50	.37	9.40	.56	14.22	.090	2.29	6	2.7	5000	1000	WW-0
WW-1	.236	5.99	.296	7.52	.174	4.42	.225	5.72	.31	7.87	.62	15.75	.090	2.29	6	2.7	5000	1000	WW-1
WW-2	.299	7.59	.365	9.27	.235	5.97	.302	7.67	.31	7.87	.68	17.27	.090	2.29	8	3.6	5000	1000	WW-2
WW-2X	.333	8.46	.392	9.96	.269	6.83	.319	8.10	.31	7.87	.72	18.29	.090	2.29	8	3.6	5000	1000	WW-2X
WW-3	.367	9.32	.418	10.62	.298	7.57	.354	8.99	.31	7.87	.75	19.05	.090	2.29	9	4.0	5000	1000	WW-3
WW-3X	.397	10.08	.447	11.35	.328	8.33	.383	9.73	.31	7.87	.78	19.81	.090	2.29	9	4.0	5000	1000	WW-3X
WW-4	.427	10.85	.475	12.07	.356	9.04	.409	10.39	.31	7.87	.81	20.57	.090	2.29	10	4.5	5000	1000	WW-4
WW-4X	.435	11.05	.509	12.93	.365	9.27	.439	11.15	.37	9.40	.83	21.08	.090	2.29	11	4.9	5000	1000	WW-4X
WW-5	.481	12.22	.547	13.89	.409	10.39	.493	12.52	.37	9.40	.87	22.10	.090	2.29	12	5.4	5000	1000	WW-5
WW-5X	.500	12.70	.563	14.30	.440	11.18	.500	12.70	.37	9.40	.89	22.61	.090	2.29	13	5.8	5000	1000	WW-5X
WW-6	.530	13.46	.615	15.62	.468	11.89	.547	13.89	.37	9.40	.92	23.67	.090	2.29	14	6.3	5000	1000	WW-6
WW-6X	.560	14.22	.631	16.03	.497	12.62	.579	14.71	.41	10.41	.97	24.64	.090	2.29	15	6.8	5000	1000	WW-6X
WW-7	.590	14.99	.667	16.94	.518	13.16	.605	15.37	.44	11.18	1.00	25.40	.090	2.29	16	7.2	5000	1000	WW-7
WW-7X	.610	15.49	.687	17.45	.548	13.92	.635	16.13	.44	11.18	1.03	26.16	.090	2.29	16	7.2	5000	1000	WW-7X
WW-8	.628	15.95	.725	18.42	.558	14.17	.662	16.82	.44	11.18	1.06	26.93	.090	2.29	17	7.6	5000	1000	WW-8
WW-8X	.658	16.71	.750	19.05	.588	14.94	.687	17.45	.44	11.18	1.09	27.69	.090	2.29	18	8.1	5000	1000	WW-8X
WW-9	.690	17.53	.775	19.69	.620	15.75	.721	18.31	.47	11.94	1.12	28.45	.090	2.29	19	8.6	5000	1000	WW-9
WW-9X	.725	18.42	.812	20.63	.663	16.84	.761	19.33	.50	12.70	1.16	29.47	.090	2.29	21	9.4	5000	1000	WW-9X
WW-10	.755	19.18	.870	22.10	.693	17.60	.808	20.52	.50	12.70	1.18	29.97	.090	2.29	21	9.4	5000	1000	WW-10
WW-11	.820	20.83	.930	23.62	.755	19.18	.865	21.97	.53	13.46	1.25	31.75	.090	2.29	24	10.8	2500	500	WW-11
WW-11X	.825	20.96	.929	23.60	.763	19.38	.878	22.30	.56	14.22	1.25	31.75	.090	2.29	23	10.3	2500	500	WW-11X
WW-12	.867	22.02	.975	24.77	.805	20.45	.913	23.19	.56	14.22	1.28	32.51	.090	2.29	26	11.7	2500	500	WW-12
WW-12X	.915	23.24	1.035	26.29	.840	21.34	.960	24.38	.63	16.00	1.34	34.04	.090	2.29	16	7.2	2500	500	WW-12X
WW-13	.984	24.99	1.105	28.07	.919	23.34	1.040	26.42	.66	16.76	1.44	36.58	.090	2.29	16	7.2	2500	500	WW-13
WW-13B	1.094	27.79	1.215	30.86	1.031	26.19	1.132	28.75	.69	17.53	1.56	39.63	.090	2.29	18	8.1	2500	500	WW-13B
WW-14	1.110	28.20	1.233	31.32	1.043	26.49	1.157	29.39	.66	16.76	1.56	39.63	.090	2.29	19	8.6	2500	500	WW-14
WW-14X	1.150	29.21	1.284	32.61	1.108	28.14	1.205	30.61	.66	16.76	1.56	39.63	.090	2.29	18	8.1	2500	500	WW-14X
WW-15	1.237	31.42	1.382	35.10	1.167	29.64	1.288	32.72	.66	16.76	1.68	42.67	.090	2.29	21	9.4	2500	500	WW-15
WW-16	1.312	33.33	1.465	37.21	1.249	31.73	1.364	34.65	.81	20.57	1.84	46.74	.120	3.05	13	5.8	1000	200	WW-16
WW-16X	1.416	35.97	1.516	38.51	1.354	34.39	1.462	37.14	.69	17.53	1.75	44.45	.120	3.05	11	4.9	1000	200	WW-16X
WW-17	1.452	36.88	1.603	40.72	1.377	34.98	1.503	38.18	.63	16.00	1.94	49.28	.120	3.05	13	5.8	1000	200	WW-17
WW-18	1.580	40.13	1.714	43.54	1.515	38.48	1.649	41.89	.63	16.00	2.06	52.33	.120	3.05	13	5.8	1000	200	WW-18
WW-19	1.730	43.94	1.887	47.93	1.650	41.91	1.780	45.21	.63	16.00	2.31	58.68	.120	3.05	17	7.6	1000	200	WW-19
WW-200	1.810	45.98	1.975	50.17	1.730	43.94	1.895	48.13	.63	16.00	2.38	60.45	.120	3.05	18	8.1	1000	200	WW-200
WW-210	1.850	46.99	2.020	51.31	1.788	45.42	1.917	48.69	1.00	25.40	2.44	61.98	.120	3.05	11	4.9	500	100	WW-210
WW-21	1.927	48.95	2.058	52.28	1.857	47.17	1.988	50.50	.63	16.00	2.38	60.45	.120	3.05	17	7.6	1000	200	WW-21
WW-221	2.067	52.50	2.243	56.97	2.005	50.93	2.135	54.23	1.00	25.40	2.69	68.33	.120	3.05	12	5.4	500	100	WW-221
WW-230	2.136	54.26	2.312	58.73	2.074	52.68	2.250	57.15	1.00	25.40	2.75	69.85	.120	3.05	12	5.4	500	100	WW-230
WW-25A	2.125	53.98	2.406	61.11	2.063	52.40	2.344	59.54	1.00	25.40	2.69	68.33	.120	3.05	12	5.4	500	100	WW-25A
WW-240	2.298	58.37	2.464	62.59	2.235	56.77	2.370	60.20	1.00	25.40	2.88	73.15	.120	3.05	14	6.3	500	100	WW-240
WW-250	2.395	60.84	2.602	66.09	2.333	59.26	2.500	63.50	1.13	28.70	3.00	76.20	.120	3.05	14	6.3	500	100	WW-250
WW-33A	2.305	58.55	2.620	66.55	2.245	57.03	2.560	65.03	1.25	31.75	3.06	77.73	.120	3.05	8	3.6	250	50	WW-33A
WW-43A	2.475	62.87	2.725	69.22	2.405	61.09	2.650	67.31	.91	23.11	3.16	80.27	.120	3.05	8	3.6	250	50	WW-43A
WW-44	2.638	67.01	2.759	70.08	2.568	65.23	2.661	67.59	.69	17.53	3.22	81.79	.120	3.05	14	6.3	500	100	WW-44
WW-45A	2.685	68.20	2.955	75.06	2.623	66.63	2.916	74.07	1.00	25.40	3.44	87.38	.120	3.05	8	3.6	250	50	WW-45A
WW-53	2.995	76.08	3.150	80.01	2.925	74.30	3.080	78.24	.75	19.05	3.59	91.19	.120	3.05	9	4.0	250	50	WW-53
WW-55A	2.990	75.95	3.250	82.55	2.920	74.17	3.150	80.01	1.00	25.40	3.75	95.25	.120	3.05	11	4.9	250	50	WW-55A
WW-57A	3.090	78.49	3.370	85.60	3.020	76.71	3.322	84.38	1.00	25.40	3.81	96.78	.120	3.05	10	4.5	250	50	WW-57A
WW-96A	3.225	81.92	3.562	90.48	3.155	80.14	3.517	89.34	1.12	28.45	4.00	101.60	.120	3.05	11	4.9	250	50	WW-96A
WW-501	3.325	84.46	3.457	87.81	3.245	82.43	3.382	85.91	.75	19.05	3.88	98.56	.120	3.05	10	4.5	250	50	WW-501
WW-502	3.790	96.27	3.920	99.57	3.710	94.24	3.840	97.54	.75	19.05	4.34	110.24	.120	3.05	13	5.8	250	50	WW-502
WW-1064	4.011	101.88	4.135	105.03	3.937	100.00	4.061	103.15	.75	19.05	4.62	117.35	.120	3.05	6	2.7	100	20	WW-1064
WW-1076	4.640	117.86	4.847	123.12	4.566	115.98	4.775	121.29	.88	22.35	5.25	133.36	.120	3.05	7	3.1	100	20	WW-1076



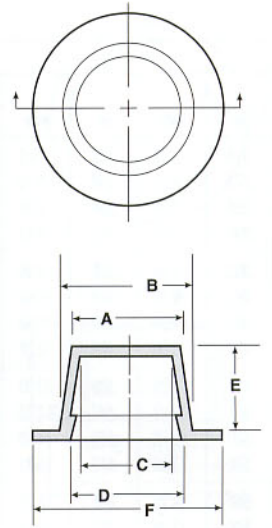
CAPS non-threaded

W Series Tapered Caps with Wide Flanges

Featuring a wider flange than standard Tapered Caplugs, the Series W offers added protection for bearing surfaces and cannot be accidentally pushed all the way into or through an opening being plugged.



MATERIAL: Low Density Polyethylene
COLOR: Red

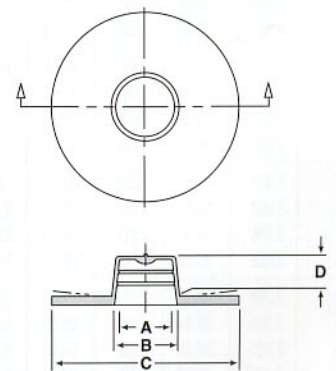


WWX Series Tapered Caps with Extra-Wide, Extra-Thick Flanges

The extra-wide flange of the WWX Series provides extended visibility. This dummy-proof design prevents the mating component from being installed without first removing the cap. Available in thirteen sizes, this versatile part may easily be used as a cap or plug depending on application.



MATERIAL: Low Density Polyethylene
COLOR: Yellow



non-threaded CAPS



WHEN CAPPING
"C" Dim. must be at least 1% smaller than diameter to be capped. Minimum .020".

W Series

Caplug No.	Dimensions												Packaging				Caplug No.
	A		B		C		D		E		F		Standard Carton		Mini Pak Quantity		
	in	mm	in	mm	in	mm	in	mm	in	mm	in	mm	Shipping Wt. (Approx.) lbs	kgs		No. of Pieces	
W-0	.173	4.39	.240	6.10	.111	2.82	.177	4.50	.38	9.65	.56	14.22	3	1.3	5000	1000	W-0
W-1	.240	6.10	.315	8.00	.183	4.65	.245	6.22	.36	9.14	.62	15.75	4	1.8	5000	1000	W-1
W-2	.302	7.67	.375	9.53	.240	6.10	.303	7.70	.38	9.65	.69	17.53	5	2.2	5000	1000	W-2
W-3	.360	9.14	.425	10.80	.298	7.57	.363	9.22	.38	9.65	.75	19.05	6	2.7	5000	1000	W-3
W-4	.425	10.80	.480	12.19	.363	9.22	.418	10.62	.38	9.65	.81	20.57	7	3.1	5000	1000	W-4
W-5	.472	11.99	.540	13.72	.410	10.41	.478	12.14	.44	11.18	.88	22.35	8	3.6	5000	1000	W-5
W-6	.536	13.61	.615	15.62	.474	12.04	.553	14.05	.44	11.18	.92	23.37	10	4.5	5000	1000	W-6
W-7	.590	14.99	.670	17.02	.528	13.41	.608	15.44	.50	12.70	1.00	25.40	11	4.9	5000	1000	W-7
W-8	.643	16.33	.726	18.44	.581	14.76	.662	16.82	.50	12.70	1.03	26.16	12	5.4	5000	1000	W-8
W-9	.683	17.35	.785	19.94	.621	15.77	.723	18.36	.53	13.46	1.13	28.70	14	6.3	5000	1000	W-9
W-10	.765	19.43	.865	21.97	.703	17.86	.803	20.40	.56	14.22	1.19	30.23	15	6.8	5000	1000	W-10
W-11	.820	20.83	.930	23.62	.758	19.25	.868	22.05	.59	14.99	1.25	31.75	18	8.1	5000	1000	W-11
W-12	.872	22.15	.977	24.82	.810	20.57	.916	23.27	.59	14.99	1.31	33.28	11	4.9	2500	500	W-12
W-13	.975	24.77	1.104	28.04	.913	23.19	1.042	26.47	.72	18.29	1.44	36.58	14	6.3	2500	500	W-13
W-14	1.158	29.41	1.275	32.39	1.096	27.84	1.213	30.81	.72	18.29	1.56	39.63	15	6.8	2500	500	W-14
W-14X	1.175	29.85	1.284	32.61	1.120	28.45	1.229	31.22	.63	16.00	1.67	42.42	14	6.3	2500	500	W-14X
W-15	1.243	31.57	1.375	34.93	1.181	30.00	1.313	33.35	.72	18.29	1.69	42.93	17	7.6	2500	500	W-15
W-16	1.312	33.33	1.475	37.47	1.250	31.75	1.413	35.89	.88	22.35	1.81	45.98	9	4.0	1000	200	W-16
W-17	1.455	36.96	1.615	41.02	1.393	35.38	1.553	39.45	.72	18.29	1.94	49.28	9	4.0	1000	200	W-17
W-18	1.575	40.01	1.685	42.80	1.513	38.43	1.623	41.23	.69	17.53	2.00	50.80	10	4.5	1000	200	W-18
W-19	1.735	44.07	1.900	48.26	1.673	42.50	1.838	46.69	.72	18.29	2.22	56.39	12	5.4	1000	200	W-19
W-20	1.810	45.98	1.950	49.53	1.748	44.40	1.888	47.96	.69	17.53	2.31	58.68	13	5.8	1000	200	W-20
W-21	1.945	49.40	2.100	53.34	1.883	47.83	2.038	51.77	.69	17.53	2.44	61.98	14	6.3	1000	200	W-21

WWX Series

Caplug No.	Dimensions								Packaging				Caplug No.
	A		B		C		D		Standard Carton		Mini Pak Quantity		
	in	mm	in	mm	in	mm	in	mm	Shipping Wt. (Approx.) lbs	kgs		No. of Pieces	
WWX-8	0.566	14.38	0.643	16.33	2.23	56.64	0.44	11.18	14	6.4	1000	200	WWX-8
WWX-10	0.686	17.42	0.788	20.02	2.37	60.20	0.50	12.70	15	6.8	1000	200	WWX-10
WWX-12	0.798	20.27	0.889	22.58	2.48	62.99	0.56	14.22	16	7.3	1000	200	WWX-12
WWX-13	0.909	23.09	1.014	25.76	2.61	66.29	0.66	16.76	18	8.2	1000	200	WWX-13
WWX-14	1.046	26.57	1.171	29.74	2.73	69.34	0.66	16.76	11	5.0	500	100	WWX-14
WWX-15	1.171	29.74	1.291	32.79	2.88	73.15	0.66	16.76	18	8.2	800	160	WWX-15
WWX-16	1.243	31.57	1.375	34.93	2.97	75.44	0.66	16.76	19	8.6	800	160	WWX-16
WWX-17	1.387	35.23	1.519	38.58	3.10	78.74	0.66	16.76	18	8.2	700	140	WWX-17
WWX-18	1.513	38.43	1.624	41.25	3.21	81.53	0.66	16.76	19	8.6	700	140	WWX-18
WWX-21	1.867	47.42	1.973	50.11	3.56	90.42	0.66	16.76	19	8.6	600	120	WWX-21
WWX-230	2.036	51.71	2.210	56.13	3.79	96.27	1.00	25.40	12	5.4	300	60	WWX-230
WWX-250	2.322	58.98	2.530	64.26	4.10	104.14	1.13	28.70	10	4.5	200	40	WWX-250
WWX-44	2.547	64.69	2.670	67.82	4.26	108.20	1.13	28.70	11	5.0	200	40	WWX-44



CAPS non-threaded

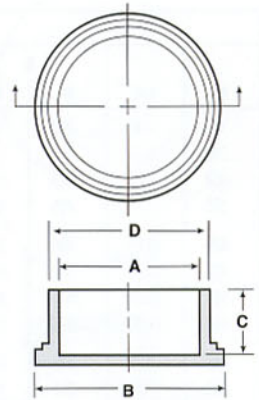
EC Series Caps for Threaded Connectors



Made to protect threaded connectors, Series EC Caps are designed for easy application and removal in areas not readily accessible. They can be installed over threads or cylindrical surfaces.



MATERIAL: Low Density Polyethylene
COLOR*: Red



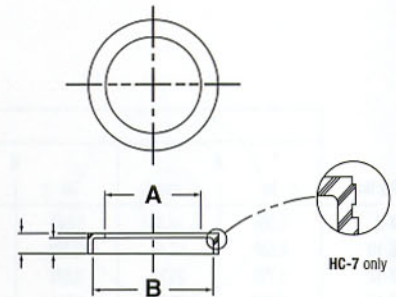
HC Series Plastic Hose Caps



Series HC Plastic Hose Caps are used to cover rigid tube and hose ends, as well as to prevent slippage over the fitting. The primary application for these caps is hose assembly manufacturing.



MATERIAL: Low Density Polyethylene
COLOR*: Yellow



FCO Series Flat Faced O-Ring Caps



Series FCO Flat Faced O-Ring Caps are designed to cap the outside of hexnuts. Featuring a chamfered flange for easy hand removal, these caps fit snugly to minimize the chance of falling off during transit. Available in two styles, Series FCO is ideal for fluid power valves and hose and pipe fittings.



MATERIAL: Low Density Polyethylene
COLOR*: Red

